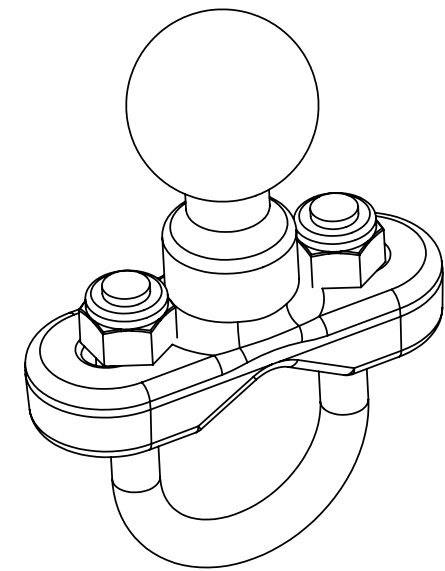
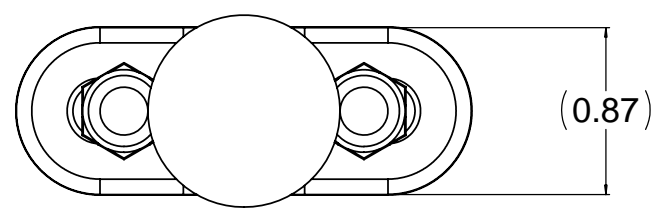
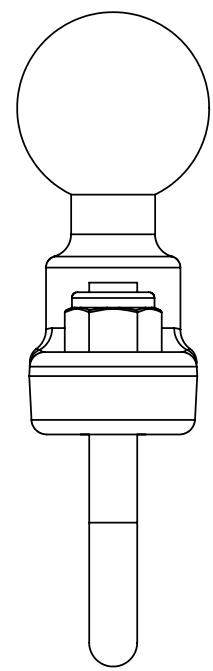
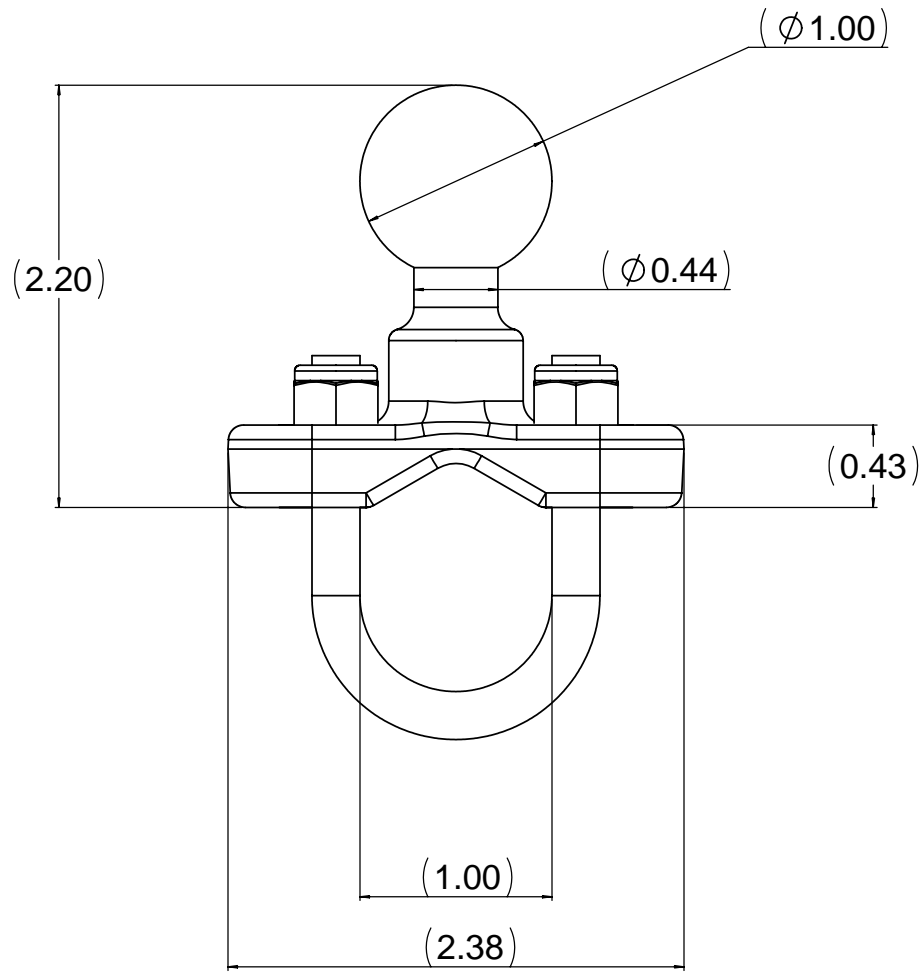


THE INFORMATION CONTAINED IN THIS DRAWING IS THE SOLE PROPERTY OF NATIONAL PRODUCTS INC. ANY REPRODUCTION IN PART OR WHOLE WITHOUT THE WRITTEN PERMISSION OF NATIONAL PRODUCTS INC. IS PROHIBITED.

REV	DESCRIPTION	REVISIONS	DATE	APPROVED



UNLESS OTHERWISE SPECIFIED DIMENSIONS ARE IN INCHES FRACTIONS DECIMALS ANGLES + 1/32 XX+ .03 + -1 DEG. XXX+ .010	CAD GENERATED DRAWING. DO NOT MANUALLY UPDATE		NATIONAL PRODUCTS INC.	
	APPROVALS	DATE	RAM U-BOLT BASE WITH 1" BALL	
DRAWN JDC	05/19/05	RAM-B-231		
MATERIAL 369-1 ALUM.	CHECKED CMR	05/19/05	REV	
FRESH BLACK POWDERCOAT	DESIGN			
DO NOT SCALE DRAWING	DUAL ENG		SCALE 1 TO 1	CAD TEL: RAMB231 SHEET 1 OF 1