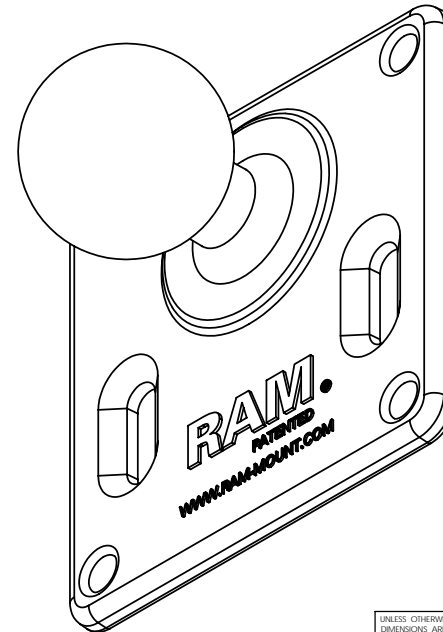
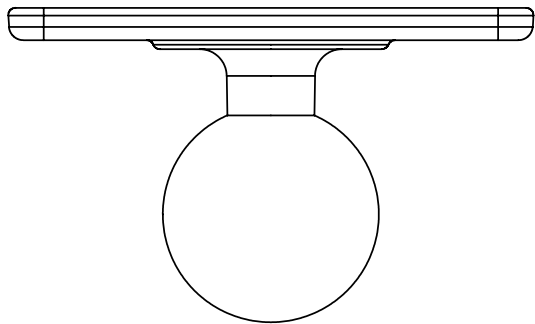
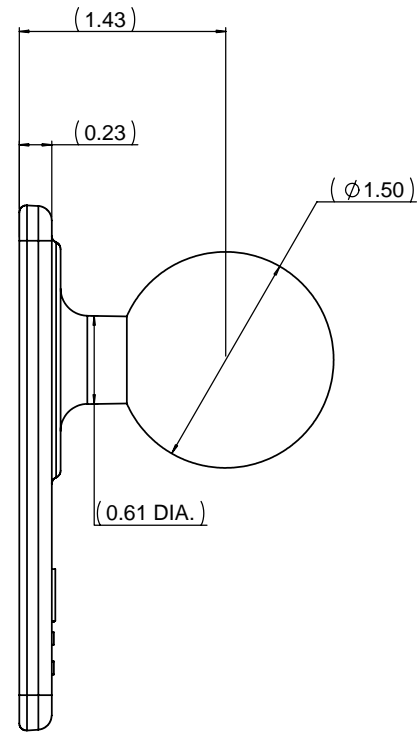
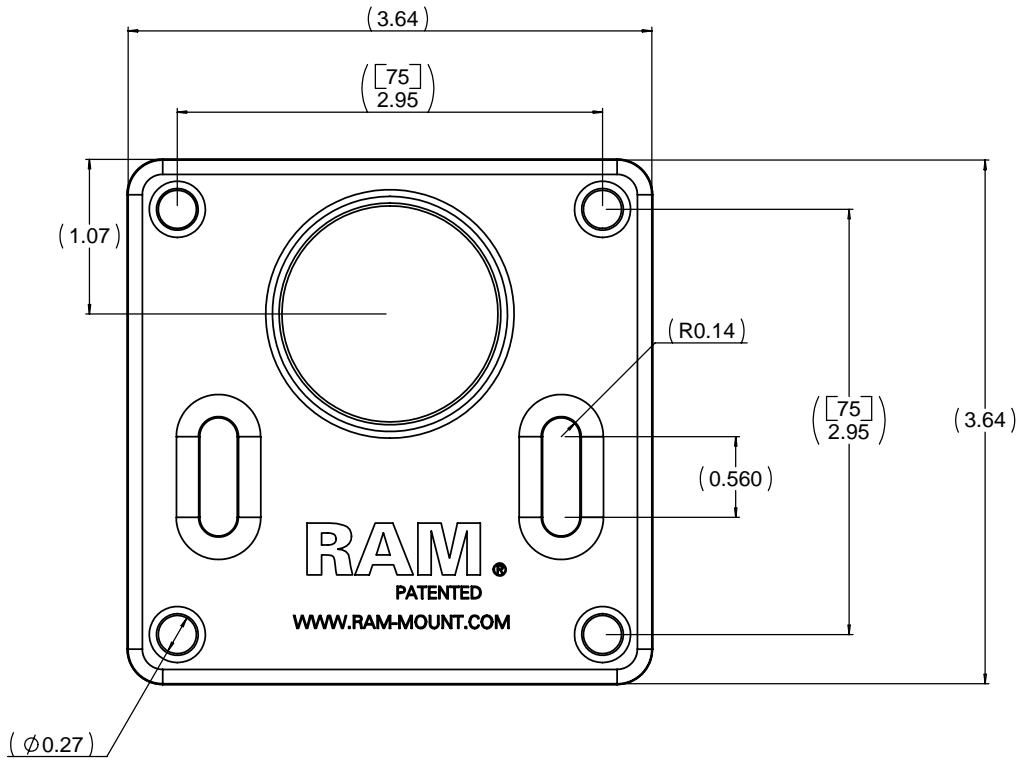


THE INFORMATION CONTAINED IN THIS DRAWING IS THE SOLE PROPERTY OF NATIONAL PRODUCTS INC. ANY REPRODUCTION IN PART OR WHOLE WITHOUT THE WRITTEN PERMISSION OF NATIONAL PRODUCTS INC. IS PROHIBITED.

REV.		DESCRIPTION	REVISIONS	DATE	APPROVED



UNLESS OTHERWISE SPECIFIED DIMENSIONS ARE IN INCHES TOLERANCES ARE: FRACTIONS: DECIMALS ANGLES + 1/32 - .03 + .1 DEG. .XXX+ - .010		CAD GENERATED DRAWING. DO NOT MANUALLY UPDATE		NATIONAL PRODUCTS INC.	
APPROVALS		DATE		RAM 75 X 75 MIL. VESA BASE WITH 1 1/2" DIAMETER BALL	
DRAWN JDC		11/05/07			
CHECKED CMR		11/05/07			
MATERIAL ALUMINUM		RESP. ENG.			
FINISH BLACK POWDER COAT		MFG. ENG.			
DO NOT SCALE DRAWING		QUAL. ENG.			
SCALE 1 TO 1				CADD FILE: RAM2461	
SHEET 1 OF 1					