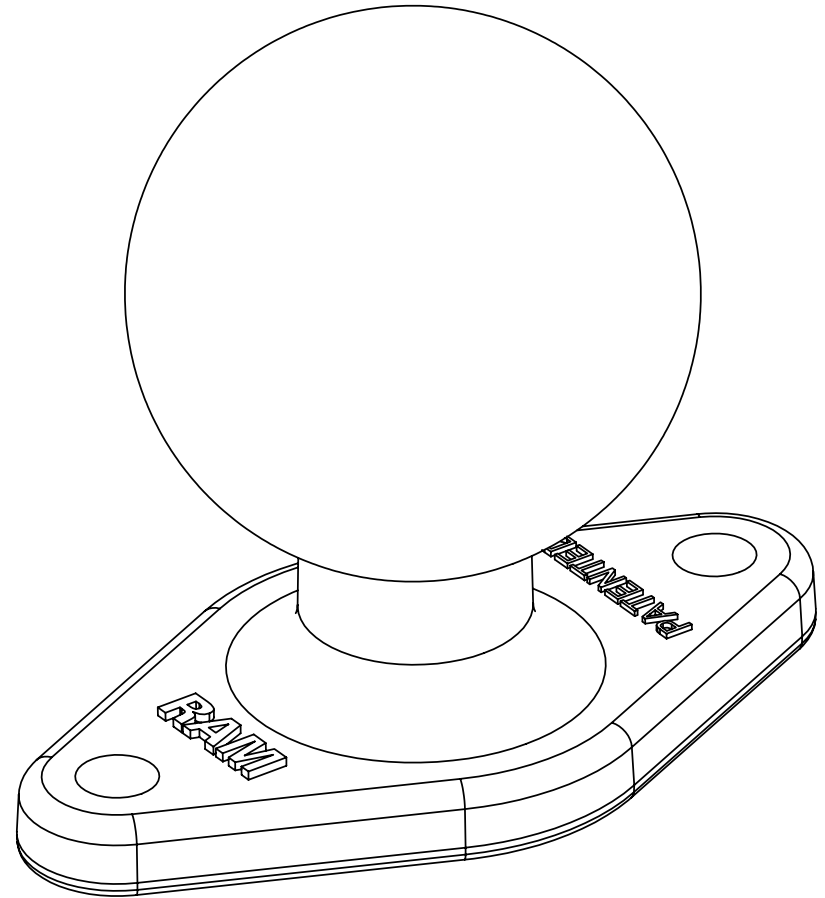
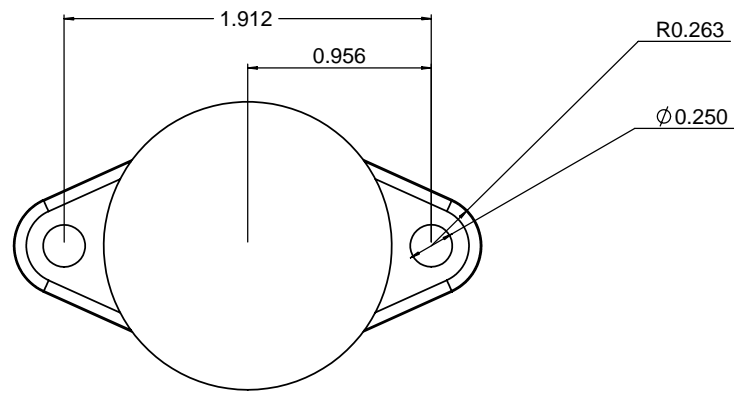
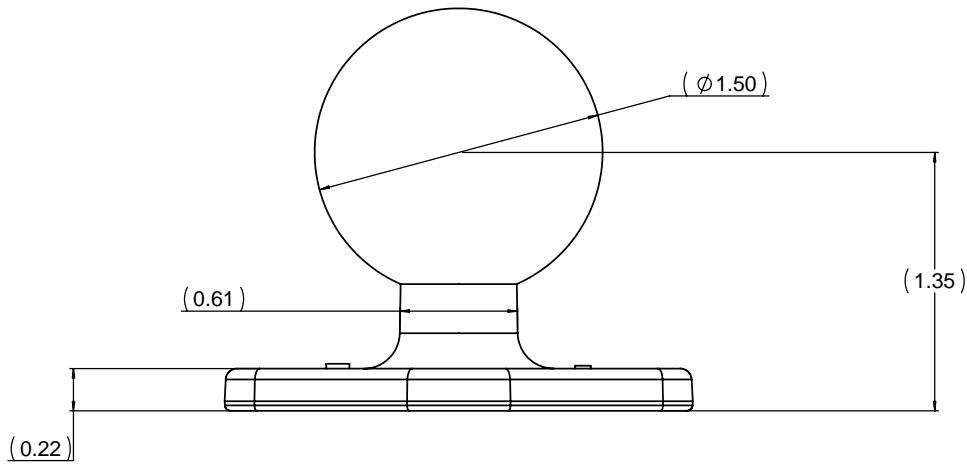
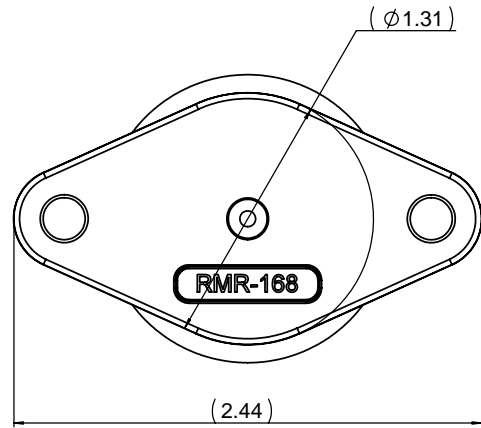


THE INFORMATION CONTAINED IN THIS DRAWING IS THE SOLE PROPERTY OF NATIONAL PRODUCTS INC. ANY REPRODUCTION IN PART OR WHOLE WITHOUT THE WRITTEN PERMISSION OF NATIONAL PRODUCTS INC. IS PROHIBITED.

REVISIONS		DATE	APPROVED
REV	DESCRIPTION		



UNLESS OTHERWISE SPECIFIED DIMENSIONS ARE IN INCHES		CAD GENERATED DRAWING. DO NOT MANUALLY UPDATE		NATIONAL PRODUCTS INC.	
TOLERANCES ARE:		APPROVALS	DATE	RAM DIAMOND BASE WITH 1 1/2" DIAMETER RUBBER BALL	
FRACTIONS: DECIMALS ANGLES		DRAWN	JDC	3/14/07	
+ 1/32 - .003 + .1 DEG.		CHECKED	CMR	3/14/07	
.XXX - .010		RESP ENG			
MATERIAL	ALUMINUM	MFG ENG		ISS C	RAM-238
FINISH	BLACK	QUAL ENG		SCALE 1 TO 1	CAD FILE: RAMZ38
DO NOT SCALE DRAWING				SHEET 1 OF 1	