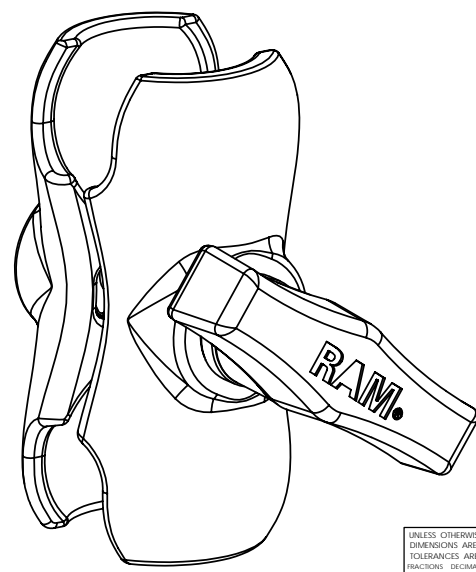
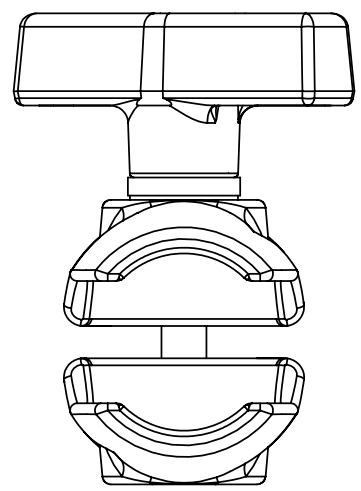
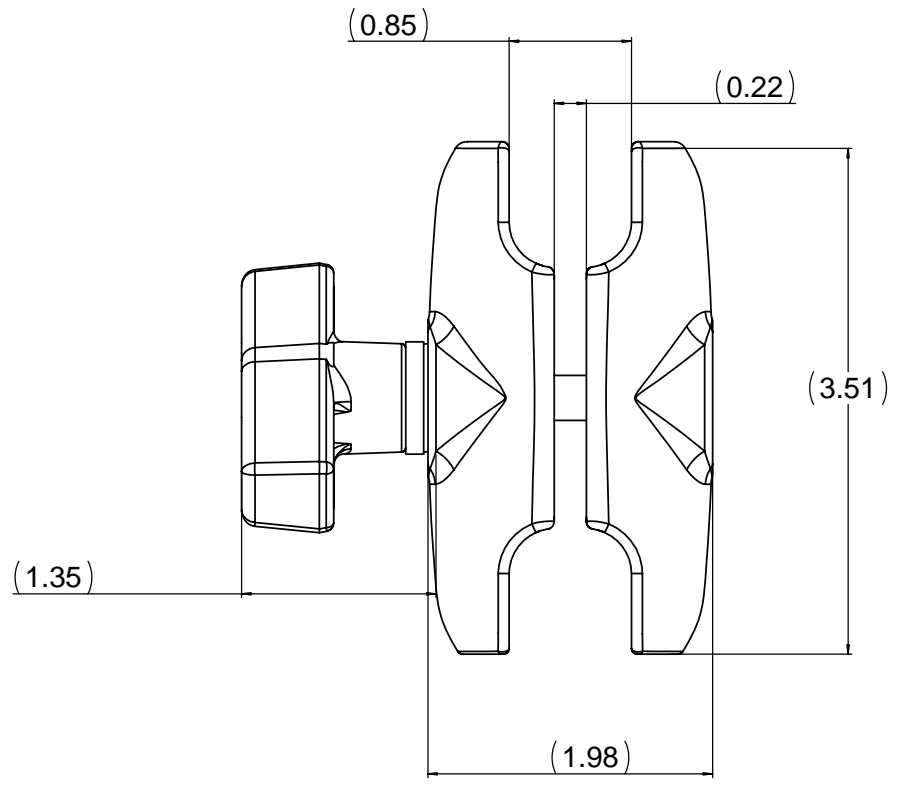
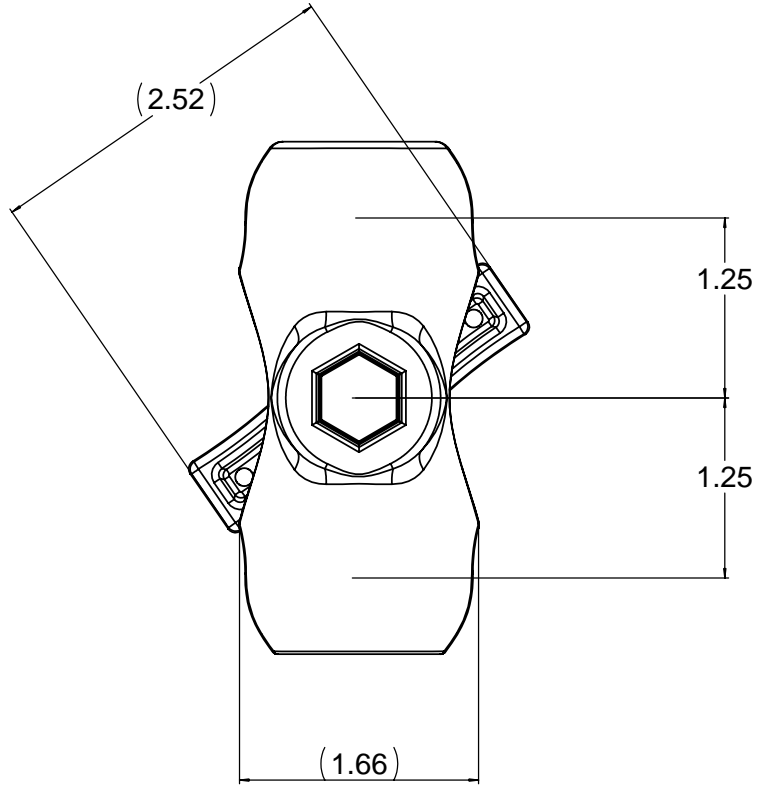


THE INFORMATION CONTAINED IN THIS DRAWING IS THE SOLE PROPERTY OF NATIONAL PRODUCTS INC. ANY REPRODUCTION IN PART OR WHOLE WITHOUT THE WRITTEN PERMISSION OF NATIONAL PRODUCTS INC. IS PROHIBITED.

REV		DESCRIPTION	REVISIONS	DATE	APPROVED



UNLESS OTHERWISE SPECIFIED DIMENSIONS ARE IN INCHES TOLERANCES ARE: FRACTIONS: DECIMALS ANGLES + 1/32 - .003 + .1 DEG. .XXX+ - .010	CAD GENERATED DRAWING. DO NOT MANUALLY UPDATE		NATIONAL PRODUCTS INC.	
	APPROVALS	DATE	RAM DOUBLE SOCKET ARM 1 1/2" BALL DIA B LENGTH	
MATERIALS	DRAWN	CHECKED	DATE	
3601 ALUMINUM	JDC	CMR	1/22/04	
FRESH BLACK POWDER COAT	MFG ENG	QUAL ENG	DATE	REV
DO NOT SCALE DRAWING			SCALE 1 TO 1	CAD FILE: RAMZ01B SHEET 1 OF 1