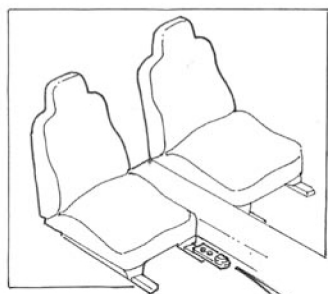
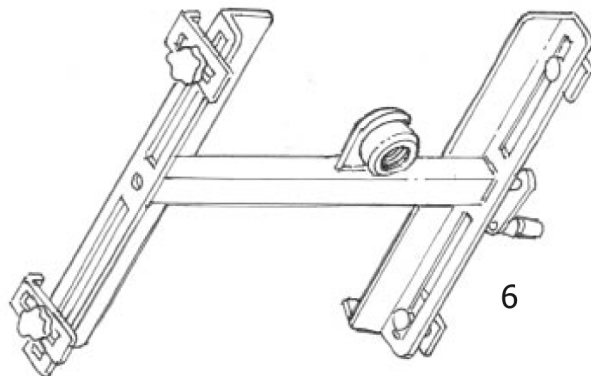
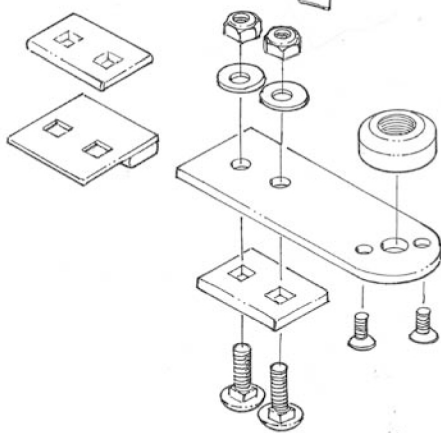


Zirkona Teleskop stand

Art.nr 402210



1



6



5



4

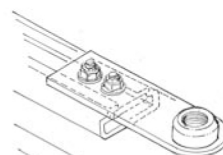


3

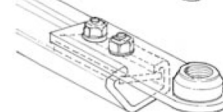
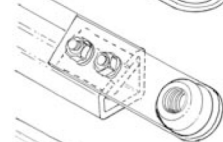


Zirkona Teleskopstativ

1. The installation is done on the passengers side.
2. Mount the seat rail bracket by choosing appropriate included seizure, depending on how your seat rail is designed.
3. Attach Joiner Large (601030) to the seat rail bracket.
4. Attach the telescopic tube to Joiner Large (601030).
Screw the support bracket at a suitable location.
5. Attach Joiner Medium (601020) to the telescopic tube.
6. Attach Computer Bracket Hold Large (501100) to Joiner Medium (601020), then tilt Computer Bracket Hold Large to the appropriate position



2



Note!



Always apply thread lockers on 20 mm threads. Use Loctite or equivalent.

Zirkona
www.zirkona.com